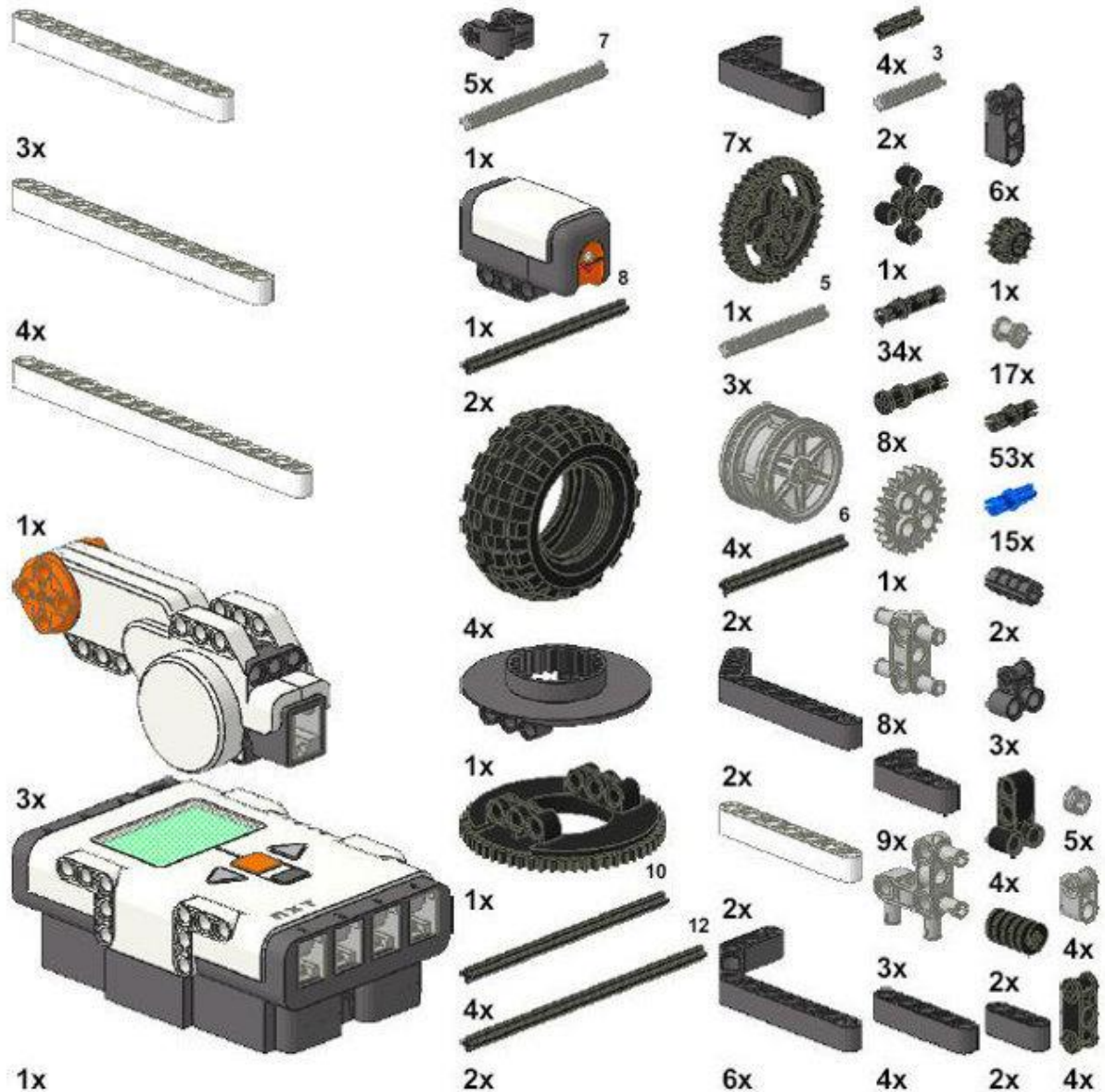


# Sudoku Solver Parts list



No.	Part no.	Part name
1	53788	Electric Mindstorms NXT (Complete Shortcut)
1	55969	Electric Mindstorms NXT Light Sensor (Complete)
3	53787	Electric Mindstorms NXT Motor (Complete)
4	32062	Technic Axle 2 Notched
2	4519	Technic Axle 3
3	32073	Technic Axle 5
2	3706	Technic Axle 6

1	44294	Technic Axle 7
2	3707	Technic Axle 8
4	3737	Technic Axle 10
2	3708	Technic Axle 12
2	6538B	Technic Axle Joiner Offset
4	6536	Technic Axle Joiner Perpendicular
8	48989	Technic Axle Joiner Perpendicular 1 x 3 x 3 with 4 Pins
4	32184	Technic Axle Joiner Perpendicular 3L
3	32291	Technic Axle Joiner Perpendicular Double
5	41678	Technic Axle Joiner Perpendicular Double Split
6	42003	Technic Axle Joiner Perpendicular with 2 Holes
15	43093	Technic Axle Pin with Friction
3	32525	Technic Beam 11
4	41239	Technic Beam 13
2	32523	Technic Beam 3
4	32316	Technic Beam 5
3	55615	Technic Beam 5 Bent 90 (3:3) with 4 Pins
9	32140	Technic Beam 5 Liftarm Bent 90 (4:2)
2	32524	Technic Beam 7
2	32271	Technic Beam 9 Liftarm Bent 53.5 (7:3)
6	32009	Technic Beam 11.5 Liftarm Bent 45 Double (7:3.828:3)
1	32278	Technic Beam 15
7	32526	Technic Beam 7 Bent 90 (5:3)
17	3713	Technic Bush
5	32123	Technic Bush 1/2 Smooth
1	32270	Technic Gear 12 Tooth Double Bevel
1	3648b	Technic Gear 24 Tooth with Single Axle Hole
1	32498	Technic Gear 36 Tooth Double Bevel
1	32072	Technic Knob Wheel
4	32557	Technic Pin Joiner Dual Perpendicular
34	6558	Technic Pin Long with Friction and slot
8	32054	Technic Pin Long with Stop Bush
53	2780	Technic Pin with Friction and Slots
1	48452	Technic Turntable New with Hole Base
1	48451	Technic Turntable New with Hole Top
2	4716	Technic Worm Screw
4	55976	Tyre 56 x 26
4	56145	Wheel 43.2 x 22 without Pinholes with External Ribs